

Micro-One 2.00mm-Pitch Connectors >

Featuring an Independent Secondary Lock (ISL) that prevents accidental terminal back-outs, the Micro-One 2.00 mm-pitch Connector maintains a secure electrical connection while enhancing mating retention and proper terminal insertion through its Terminal Position Assurance (TPA). It also supports potting for protection against dust, moisture and corrosion in harsh environments and meets stringent flammability standards with full Glow-Wire compliance.

ADVANTAGES AND FEATURES

Provides more contact reliability

The gold-plated version prevents corrosion, improves conductivity and durability. This makes the connectors suitable for customers requiring robust connections.

Provides superior ergonomics and easier assembly

The gold plating reduces the mating force which reduces the physical effort required during connector mating and improves operator efficiency.

Provides superior electrical performance

The potting on vertical-orientation connectors prevents liquid or corrosive agents from penetrating the PCB board.

Voltage (max.)	250V
Pitch	2.00mm
Orientation	Vertical, right angle
Plating	Gold (SMT), Tin (SMT/TH)
Circuit Size	2 to 8
Operating Temperatures	-40 to +105°C

Helps deliver high performance in harsh environments

The gold plating protects contacts from oxidation when exposed to moisture. The high-quality housing materials help the connectors withstand mechanical stresses and extreme temperature cycles.

Helps achieve secure electrical contact

The connectors feature an integrated ISL with a TPA option, which prevents accidental back-outs and detects incomplete insertion to ensure mating retention.



ISL Receptacle Housing
205979



Retainer
21275



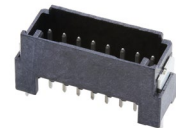
Receptacle Housing
212724



Vertical, SMT Header
224046 (GW, Potting) GOLD



Vertical, SMT Header
217063 (GW, Potting) TIN



Vertical, TH Header
220029 (GW, Potting) TIN



Right Angle, SMT Header
22407 (GW) GOLD



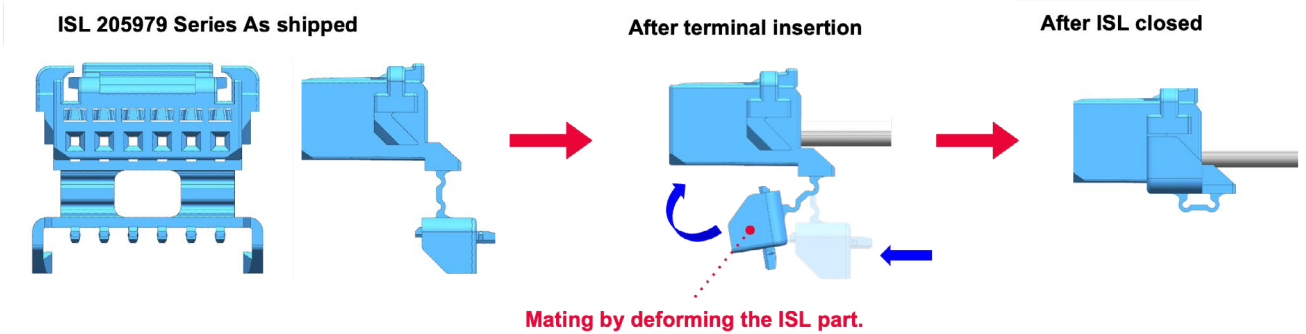
Right Angle, SMT Header
217064 (GW) TIN



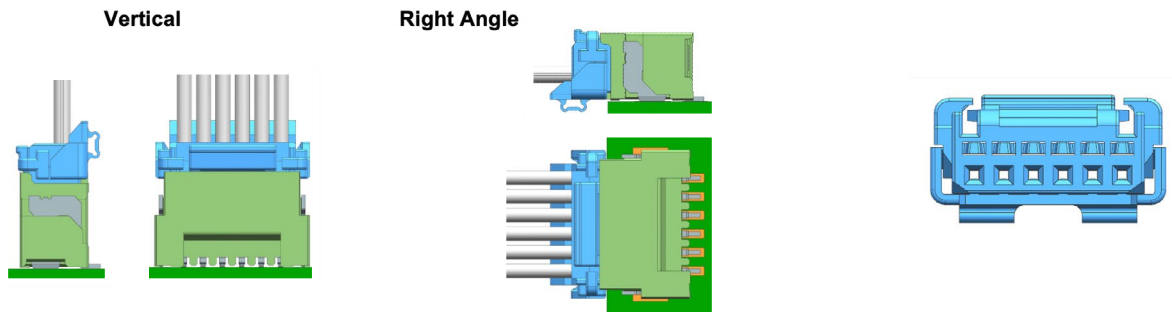
Right Angle, TH Header
220030 (GW) TIN

Micro-One 2.00mm-Pitch Connectors >

ISL FUNCTION

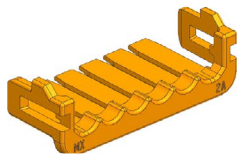


Mated view with SMT

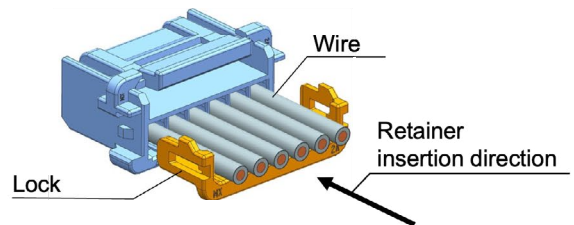


RETAINER FUNCTION

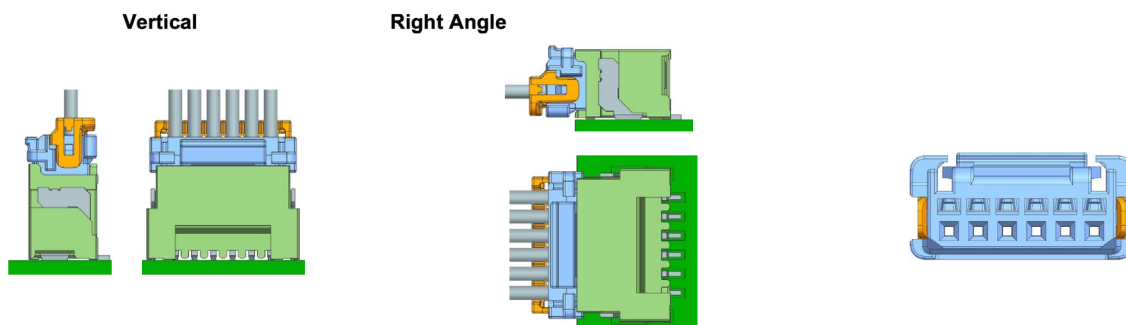
RETAINER 212725 Series As shipped



After retainer insertion into Receptacle 212724 series



Mated view with SMT



Micro-One 2.00mm-Pitch Connectors >

MARKETS AND APPLICATIONS

Appliances

Dryers
Microwave ovens
Refrigerators
Washing machines

Automotive

Car infotainment wirings
Display modules
Lighting systems
Sensor and actuator connections
Switches

HVAC

Air conditioners
Heat pumps
Humidifiers
Ventilators

Industrial automation

Drones
Factory automation equipment
Power tools
Robotics
Sensors

Power for data center

Servers



Washing Machines



Robotics



Humidifiers

SPECIFICATIONS

Reference Information

Packaging:
SMT Headers—Embossed tape and reel
Through Hole Headers—Tray
Receptacle Housing and Retainer—Bag
UL Certified: Yes
CSA Certified: Yes
Mates with: Refer to table on page 4
Designed in: Millimeters
RoHS: Yes
Halogen Free: No
Glow Wire Compliant: Yes

Electrical

Voltage (max.): 250V
Current (max.): 4.0A (2-circuit)/AWG 22
Circuit Size: 2 to 8
Contact Resistance (max.): 20 milliohms
Dielectric Withstanding Voltage: 1000V AC
Insulation Resistance (min.): 1000 Megohms

Mechanical

Durability (min.): 30 cycles
Pitch: 2.00mm

Physical

Housing: Black
Contact: Copper alloy
Plating: Tin/gold
Orientation: Vertical, right angle
Lock: Inner positive lock
PCB Thickness: 1.60mm
Operating Temperatures: -40 to +105°C

Micro-One 2.00mm-Pitch Connectors >

ORDERING INFORMATION

Description	Orientation	Plating	Series		Mate with	Color	Potting
			Vertical	Right angle			
Header Housing	SMT	Tin	217063	217064	212724 or 205979	Black	217063
		Gold	224046	224047	212724 or 205979	Black	224046
	TH	Tin	220029	220030	212724 or 205979	Black	220029
Receptacle Housing	TPA type	-	212724		All the header series	Black	-
	ISL type	-	205979		All the header series	Black	-
Terminal	AWG 22 to 24	Tin	561349001		-	-	-
	AWG 26 to 28		561349002		-	-	-
	AWG 22 to 24	Gold	2240415001		-	-	-
	AWG 26 to 28		2240415002		-	-	-
TPA	-	-	212725	212724	Natural	-	

<https://www.heilind.com/cms/manufacturers/molex/>