

OFF-THE-SHELF

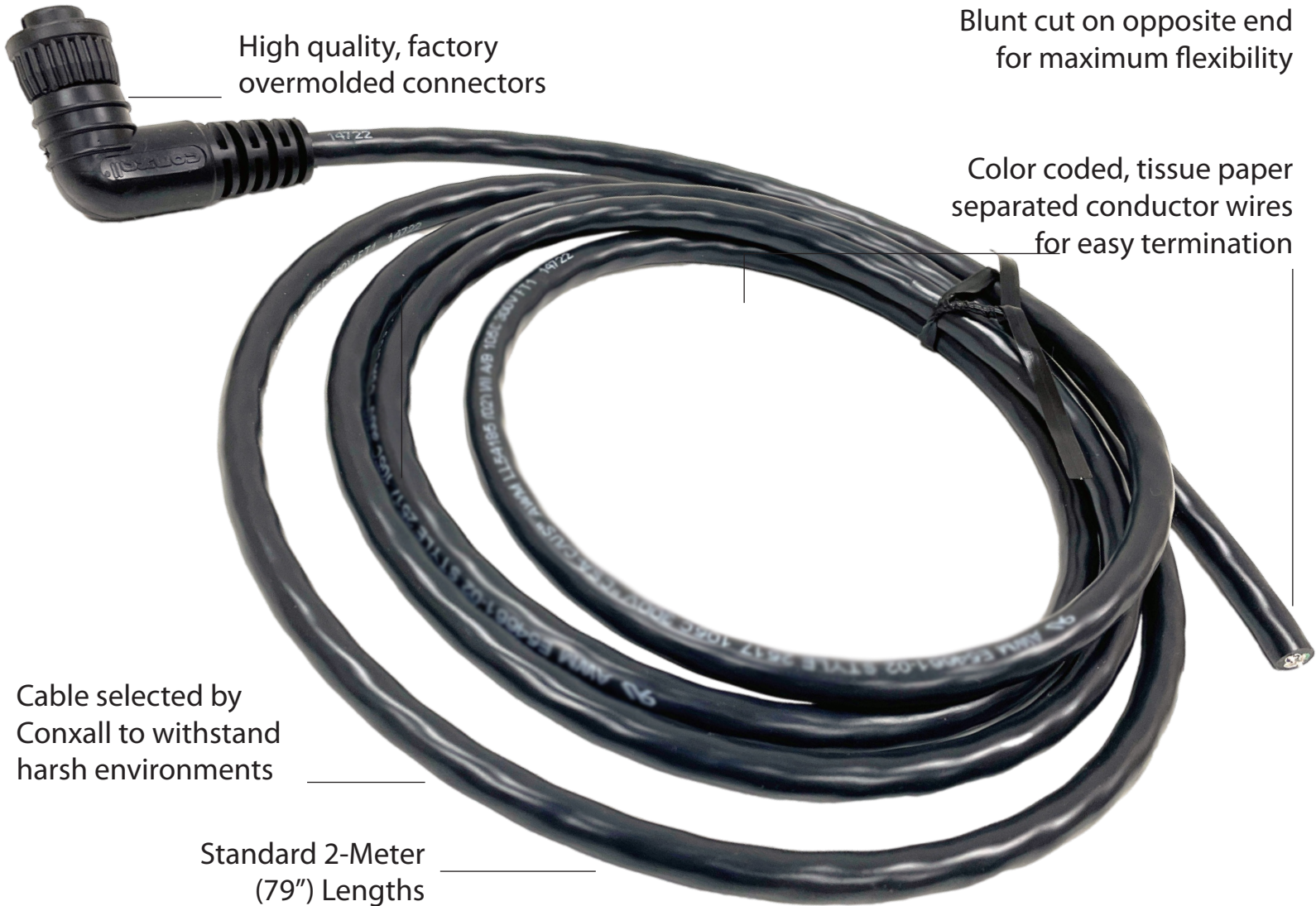
2-METER MOLDED CABLES

MIXED CONTACT MINI-CON-X[®]



Switchcraft[®]
CONXALL[®]

HARSH ENVIRONMENT CONNECTIVITY SOLUTIONS



High quality, factory overmolded connectors

Blunt cut on opposite end for maximum flexibility

Color coded, tissue paper separated conductor wires for easy termination

Cable selected by Conxall to withstand harsh environments

Standard 2-Meter (79") Lengths

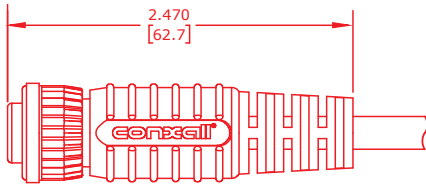
FEATURES

- High quality molded cables now available as a standard, off-the-shelf item
- Single ended cable with blunt cut
- Straight or right angle connector options
- A variety of configurations available
- Made in the USA
- Call factory for custom lengths and other configurable options
- See drawings on Switchcraft.com for detailed specifications

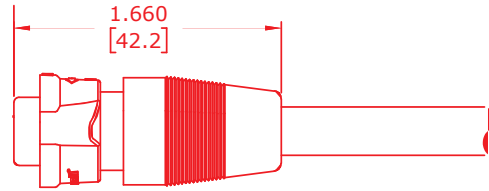
CABLE SPECIFICATIONS

- Rated for 300 V
- 16 AWG and 20 AWG or 26 AWG Wire
- -30° C TO +105° C temperature rating
- Jacket Material: 30 mils PVC, black
- Conductor Insulation: 15 mils PVC
- UV & water resistant
- Color coded and tissue paper separated conductor wires
- UL Recognized, CSA Certified, and RoHS Compliant

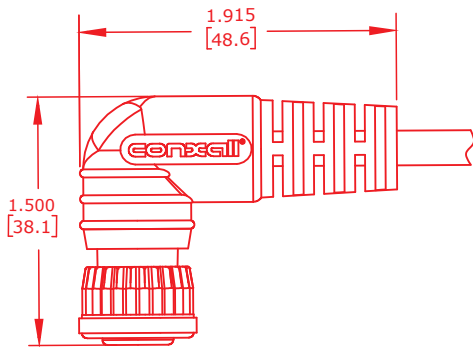
CONNECTOR DIMENSIONS (Ref Only)



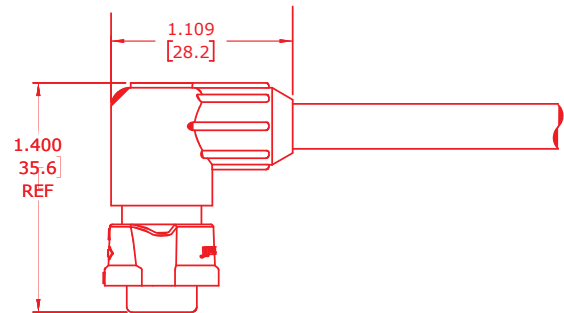
CA6X80XX07900



CA6X80XXP07900

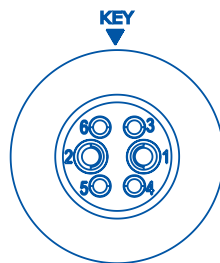


CARA6X80XX07990

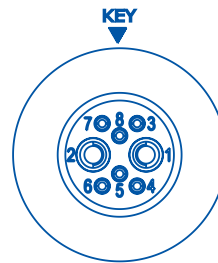


CARA6X80XXP07990

CONTACT LAYOUTS (Connector Face Side)



6 POSITION
2 #16 & 4 #20
PIN OR SOCKET
CONTACTS



8 POSITION
2 #16 & 6 #26
PIN OR SOCKET
CONTACTS

DETAILS AND AVAILABLE PART NUMBERS



Configuration	Standard Bayonet		Insta-Click® Positive Lock	
	Straight	Right Angle	Straight	Right Angle
6-pos, Male Pins (2x16awg / 4x20awg)	CA6C806P07990	CARA6C806P07990	CA6C806PP07990	CARA6C806PP07990
6-pos, Female Sockets (2x16awg / 4x20awg)	CA6C806S07990	CARA6C806S07990	CA6C806SP07990	CARA6C806SP07990
8-pos, Male Pins (2x16awg / 6x26awg)	CA6A808P07990	CARA6A808P07990	CA6A808PP07990	CARA6A808PP07990
8-pos, Female Sockets (2x16awg / 6x26awg)	CA6A808S07990	CARA6A808S07990	CA6A808SP07990	CARA6A808SP07990