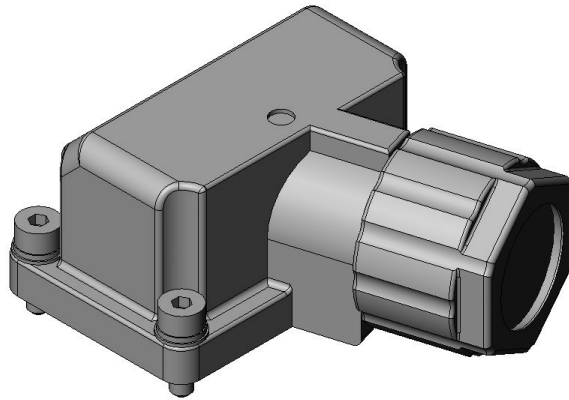


JN13FJ06SN1

Product Details



Features

All-plastic Low-profile Waterproof Connectors, 6 pos., Angle plug

Part Number	JN13FJ06SN1
Status	Active
Number of Positions	6 pos.
Rated Current (A)	7.4A / 1.2A
Rated Voltage (V)	
Waterproof/ Non-waterproof	IP67 (in mated condition)
Contact Arrangement Code	
Connector Type	Plug
Connector Style	Angle plug
Contact Type	
Wire Termination Method	Crimp (Socket Contact)
Applicable Wire Size (AWG)	#18, #22
Coupling Style	

Contact Size	
Shell Size	J
Contact Size X No. of Contacts	
Applicable Wire (Cross-sectional Area of Conductor)	
Applicable Wire Insulation Diameter (mm)	#18 : 2.1 #22 : 1.6
Alternative Insert Position (deg.)	
Material of Contact	
Finish of Contact in Connecting Area	
Outer Shell Color	
Total Current Rating (A)	
Contact Resistance (milliohm)	
Dielectric Withstanding Voltage (VACr.m.s. 1minute)	1500VAC、 1 minute / 500VAC、 1 minute
Insulation Resistance (megaohm min.)	1000 megohm min. / 100 megohm min.
Mating Cycles (times)	
Operating Temperature Range (deg. C)	-40 deg. C to +125 deg. C (Including temperature rise)
Applicable Contacts	JN-18S-C1B-A1-3500
Applicable Housing	
Applicable Accessory	
Applicable Product Part Numbers	

Applicable Wire Diameter	
RoHS compliant	10 substances (2011/65/EU, (EU)2015/863)
REACH compliant	
Combination	JN13CJ06PN1
Remarks	

Notice

1. The values specified in this web site are only for reference. The products and their specifications are subject to change without notice. Contact our sales staff for further information before considering or ordering any of our products.
For purchase, a product specification must be agreed upon.

2. Users are requested to provide protection circuits and redundancy circuits to ensure safety of the equipment, and sufficiently review the suitability of JAE's products to the equipment.

3. The products presented in this web site are designed for the uses recommended below.

We strongly suggest you contact our sales staff when considering use of any of the products in any other way than the recommended applications or for a specific use that requires an extremely high reliability.

(1) Applications that require consultation:

*Please contact us if you are considering use involving a quality assurance program that you specify or that is peculiar to the industry, such as:

Automotive electrical components, train control, telecommunications devices (mainline), traffic light control, electric power, combustion control, fire prevention or security systems, disaster evention equipment, etc.

*We may separately give you our support with a quality assurance program that you specify, when you think of a use such as :

Aviation or space equipment, submarine repeaters, nuclear power control systems, medical equipment for life support, etc.

(2) Recommended applications include:

* Computers, office appliances, telecommunications devices (terminals, mobile units), measuring equipment, audiovisual equipment, home electric appliances, factory automation equipment, etc