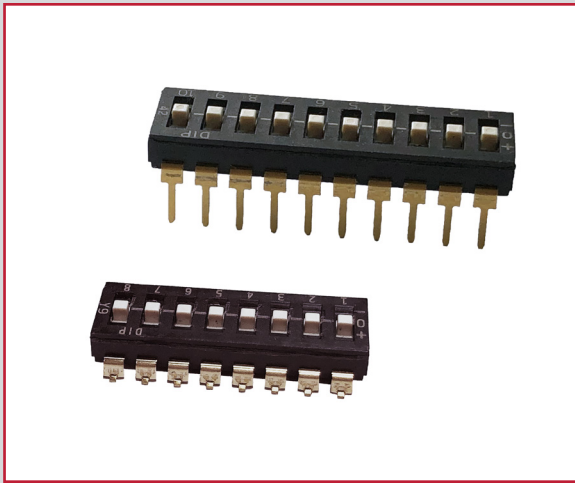


# KAD SERIES DIP SWITCH

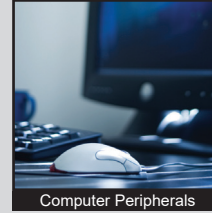
ANTI-VANDAL SWITCHES  
 DETECTOR SWITCHES  
 DIP SWITCHES  
 KEYLOCK SWITCHES  
 NAVIGATION SWITCHES  
 PUSHBUTTON SWITCHES  
 ROCKER SWITCHES  
 ROTARY SWITCHES  
 SLIDE SWITCHES  
 SNAP ACTION SWITCHES  
 TACTILE SWITCHES  
 TOGGLE SWITCHES  
 CAP OPTIONS



## APPLICATIONS / MARKETS



Audio / Visual



Computer Peripherals



Consumer Electronics



Instrumentation



Telecommunication



Medical Equipment

**RoHS**

## SPECIFICATIONS

**Electrical Rating:** 100mA @ 50VDC Non-Switching  
 25mA @ 24VDC Switching  
**Life Expectancy:** 2,000 Cycles each circuit  
**Contact Resistance:** 100mΩ Max.  
**Insulation Resistance:** 100 MΩ Min. at 500VDC  
**Dielectric Strength:** 500VAC for 1 min.  
**Operating Temperature:** -20°C to 85°C  
**Storage Temperature:** -40°C to 85°C  
**Travel:** 0.8mm in each direction  
**Contact Arrangement:** SPDT each position

## FEATURES & BENEFITS

- Tri-state DIP switch
- Straight pins (Through Hole), or gullwing (SMT) termination options
- Tube or Tape & Reel packaging options
- Top tape seal option with recessed actuator
- Low profile
- 4, 5, 8, 9, or 10 positions
- Gold contacts
- Switches are supplied with all poles in "OFF" position

## PART NUMBER CONFIGURATOR

Series	No. of Positions	Actuator	Termination	Contact Material	Packaging
<input type="text" value="KAD"/>	<input type="text" value="04"/> <input type="text" value="05"/> <input type="text" value="08"/> <input type="text" value="09"/> <input type="text" value="10"/>	<input type="text" value="L"/> <input type="text" value="S"/> <input type="text" value="T"/>	<input type="text" value="H"/> <input type="text" value="G"/>	<input type="text" value="G"/>	<input type="text" value="T"/> <input type="text" value="R"/>
	04 - 4 position 05 - 5 positions 08 - 8 positions 09 - 9 positions 10 - 10 positions	L - Extended S - Recessed without top tape seal T - Recessed with top tape seal	H - Straight G - Gullwing	G - Gold	T - Tube R - Tape & Reel (Gullwing only)

Specifications subject to change without notice 2.8.2023



**E-SWITCH®**

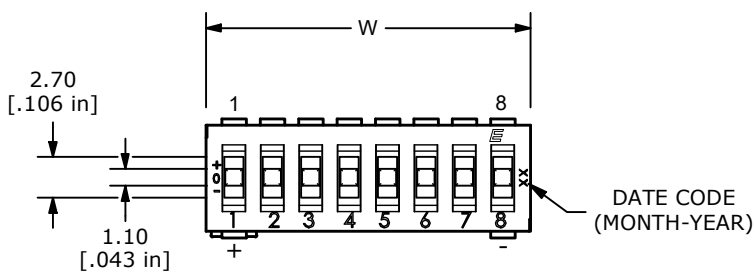
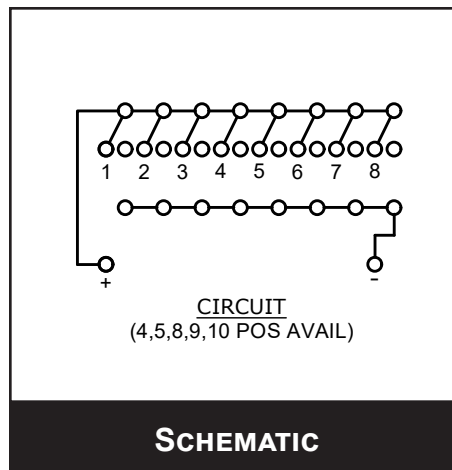
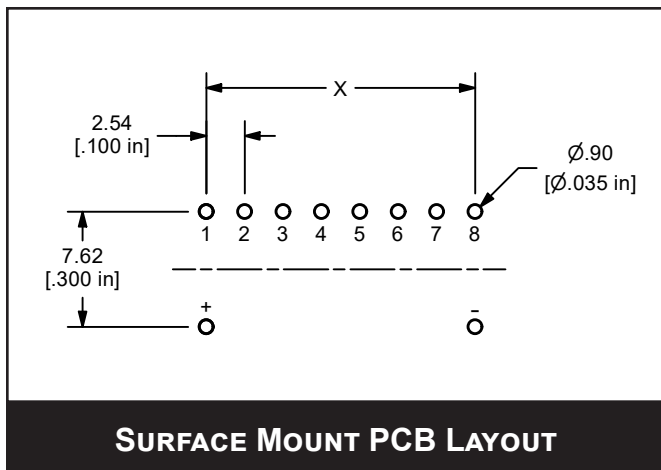
www.e-switch.com

800.867.2717

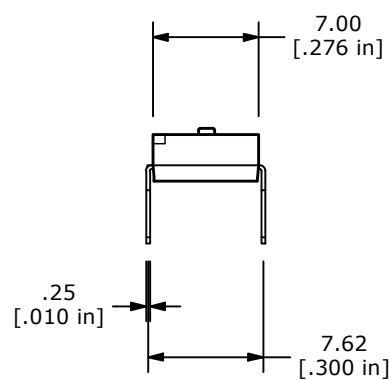
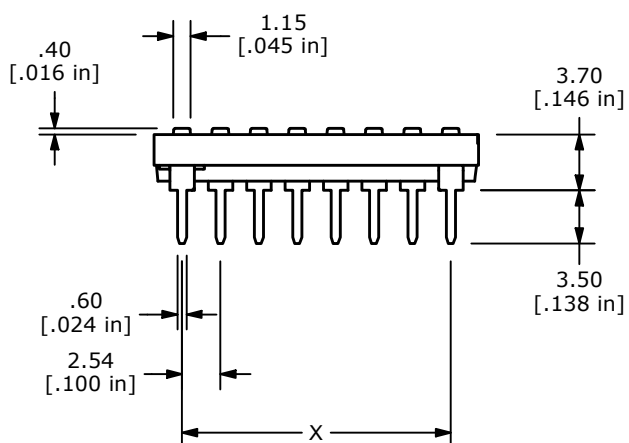
1

# KAD SERIES DIP SWITCH

## BODY DIMENSIONS EXTENDED WITH STRAIGHT

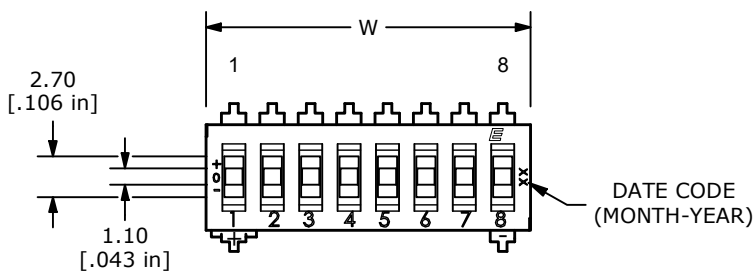
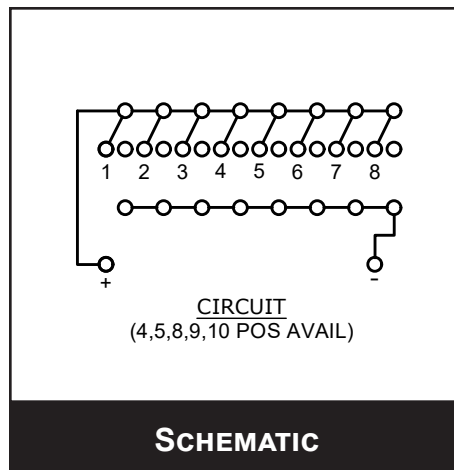
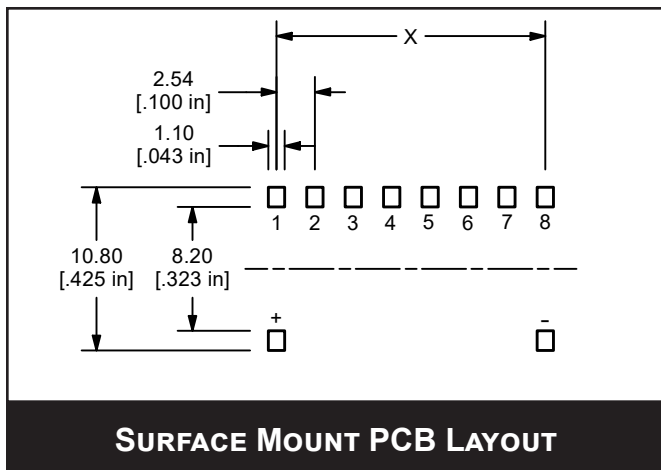


NO. OF POS	DIM W	DIM X
4	11.32	7.62
5	13.86	10.16
8	21.48	17.78
9	24.02	20.32
10	26.56	22.86

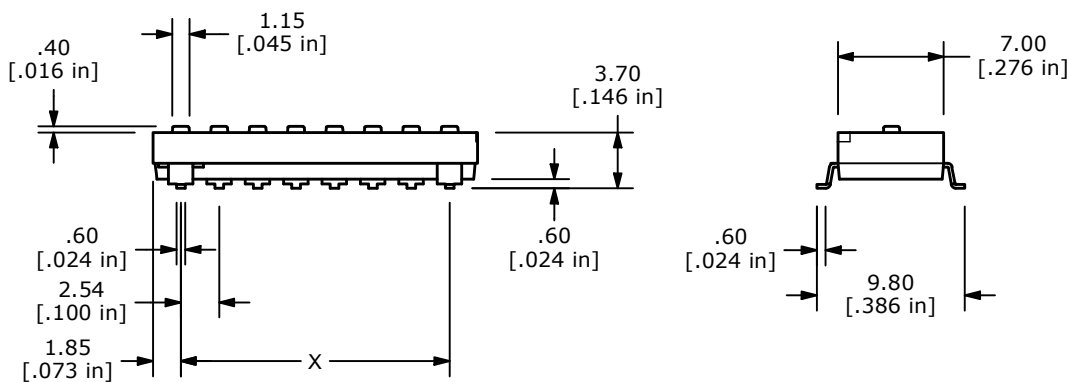


# KAD SERIES DIP SWITCH

## BODY DIMENSIONS EXTENDED WITH GULLWING



NO. OF POS	DIM W	DIM X
4	11.32	7.62
5	13.86	10.16
8	21.48	17.78
9	24.02	20.32
10	26.56	22.86



# KAD SERIES DIP SWITCH

ANTI-VANDAL  
SWITCHES

DETECTOR  
SWITCHES

**DIP  
SWITCHES**

KEYLOCK  
SWITCHES

NAVIGATION  
SWITCHES

PUSHBUTTON  
SWITCHES

ROCKER  
SWITCHES

ROTARY  
SWITCHES

SLIDE  
SWITCHES

SNAP ACTION  
SWITCHES

TACTILE  
SWITCHES

TOGGLE  
SWITCHES

CAP  
OPTIONS



**E-SWITCH®**

[www.e-switch.com](http://www.e-switch.com)

800.867.2717

4