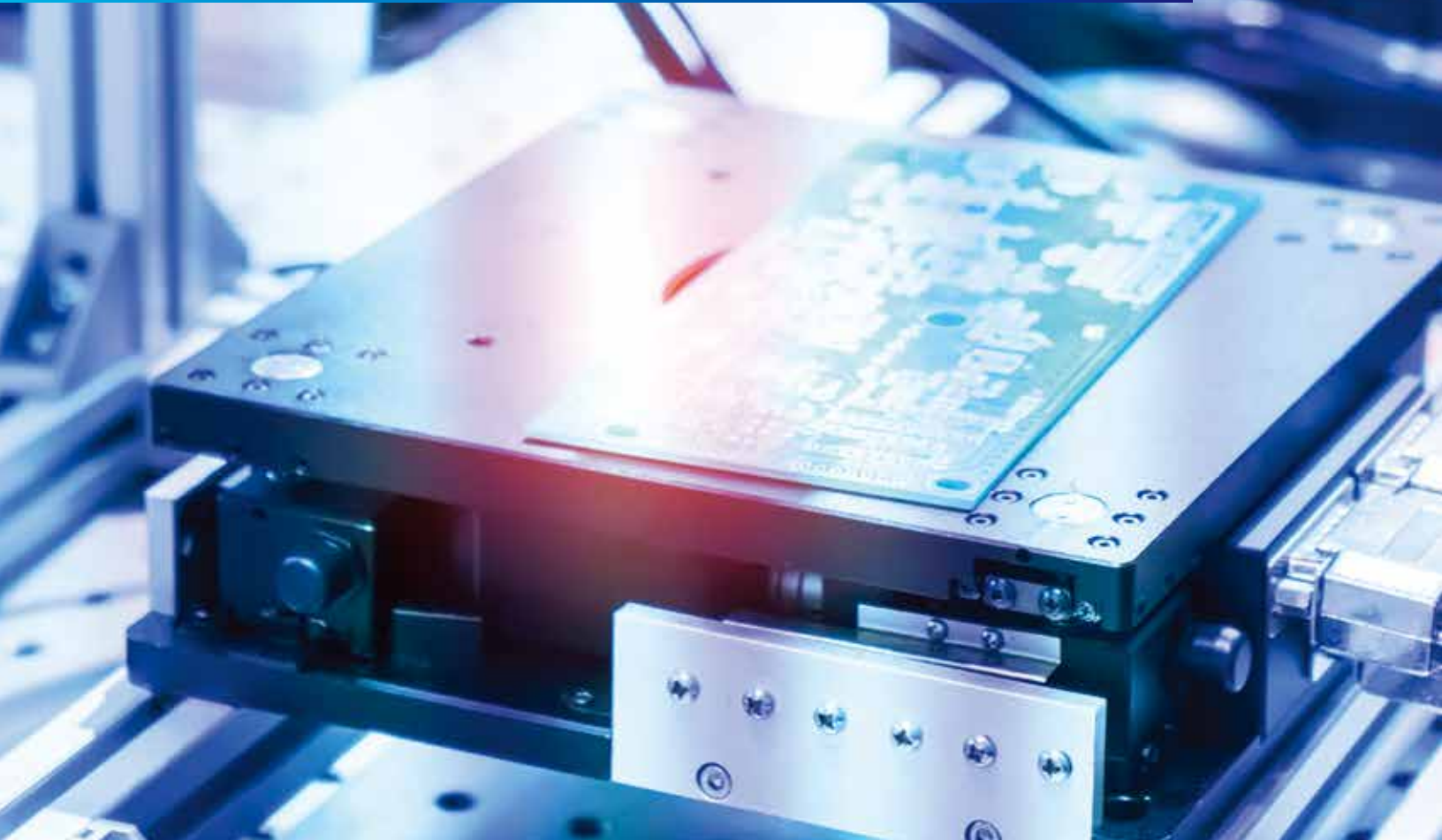




Science.
Applied to Life.™

3M™ USB3 Vision Industrial Camera Cable Assembly, 1U30A Series and 1U30S Series



3M™ USB3 Vision Industrial Camera Cable Assembly

Unlock the potential of USB3 Vision

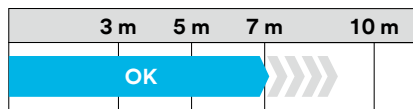
USB3 Vision® has emerged as a leader in the next generation of machine vision standards. With excellent compatibility and ease of system integration, it allows for multi-camera configurations and high-speed, high-resolution data that can help reduce downtime and waste while providing quality assurance.

The 3M™ USB3 Vision Industrial Camera Cable Assembly, 1U30A Series and 1U30S Series offers a higher functional cable length than any other known USB3 connector solution, giving you more flexibility to build the configuration your application needs.

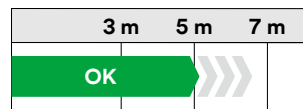


Functionable cable length for USB3 Vision camera connection

3M™ USB3 Vision Industrial Camera Cable Assembly, 1U30A Series



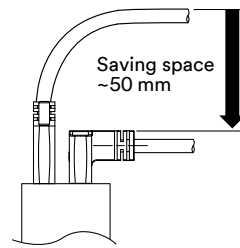
3M™ USB3 Vision Industrial Camera Cable Assembly, 1U30S Series



*Tested on 3M test condition
*Functionality must be tested in customer environment

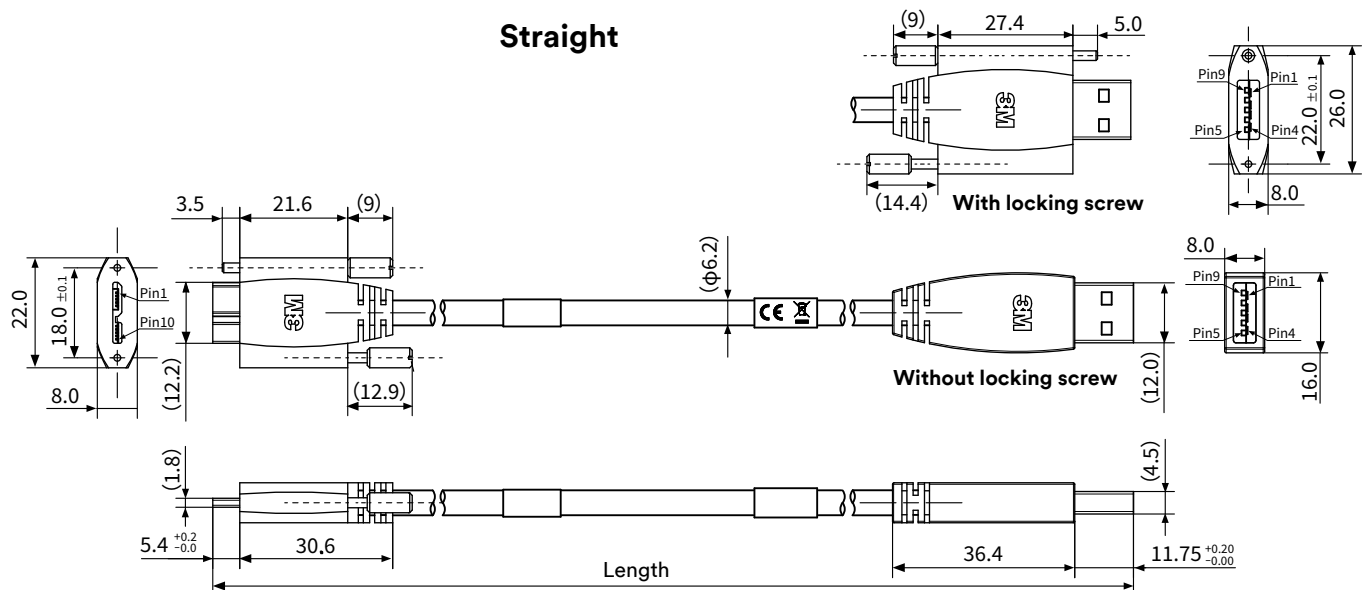
3M™ USB3 Vision Industrial Camera Cable Assembly, 1U30A Series

- Non-repetitive motion application
- Excellent transmission up to at least 7m
- Flexible 6.2mm outside diameter (OD) cable for easy routing
- Straight, upward/downward, left-hand/right-hand configurations are available
- Smaller footprint for connecting cable to camera without overstressing cable
- Reliable connection with locking screws available on USB3 and Micro B ends
- USB3.0 compatible electrical characteristics
- RoHS2 and CE compliant



3M™ USB3 Vision cable assembly, 1U30A series product dimensions

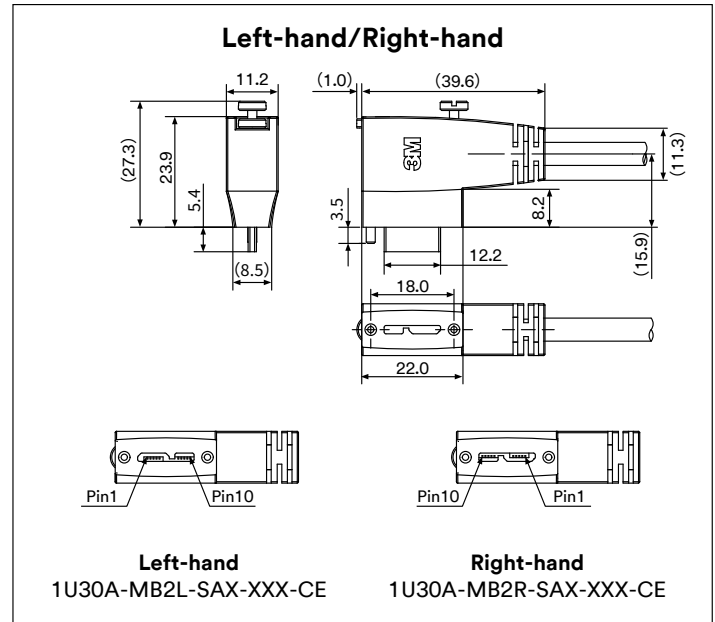
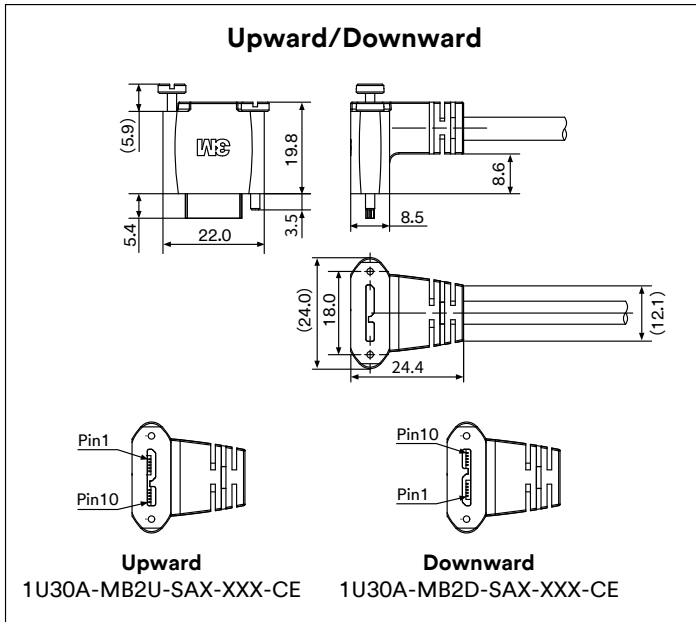
Dimensions in mm



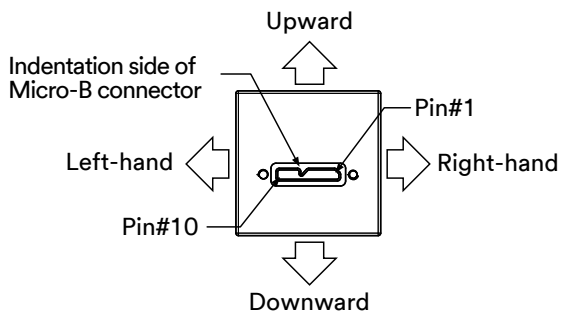
3M™ USB3 Vision Industrial Camera Cable Assembly

3M™ USB3 Vision Industrial Camera Cable Assembly, 1U30A Series product dimensions

Dimensions in mm



Angled Connector Part Number Definition



Connector side view of USB3 Vision® camera

3M™ USB3 Vision Industrial Camera Cable Assembly

3M™ USB3 Vision Industrial Camera Cable Assembly, 1U30S Series



- Excellent transmission characteristics enable >5 m connection¹
- Repeated bending durability >10 million cycles²
- Reliable connection with locking screw (available on USB3 and Micro B ends)
- Moveable cable has excellent U-shaped sliding durability and maintains the same high transmission characteristics as the initial one even after sliding
- USB3.0 compatible electrical characteristics
- USB3 Vision® compliant screw locking feature
- RoHS2 and CE compliant

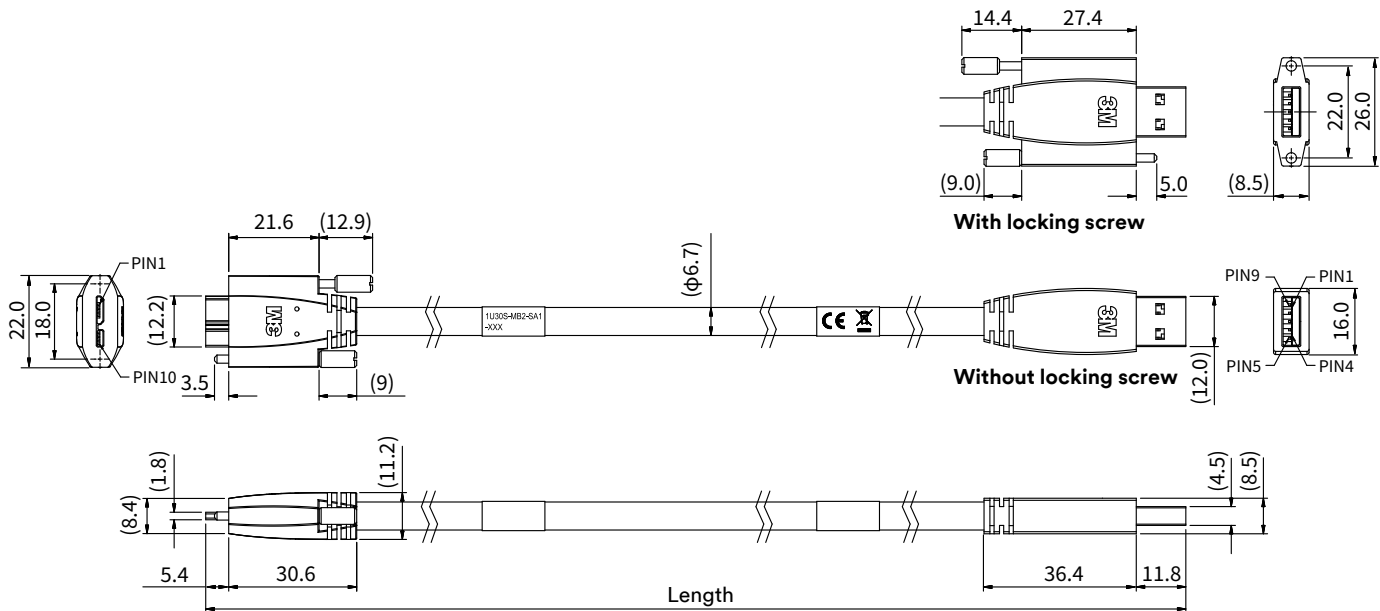


¹ Tested on 3M test condition; functionality >5 m depends on camera/host combination

² No open / no significant degradation in electrical characteristics after 10 million cycles of R50 drag-chain bending

3M™ USB3 Vision cable assembly, 1U30S series product dimensions

Dimensions in mm

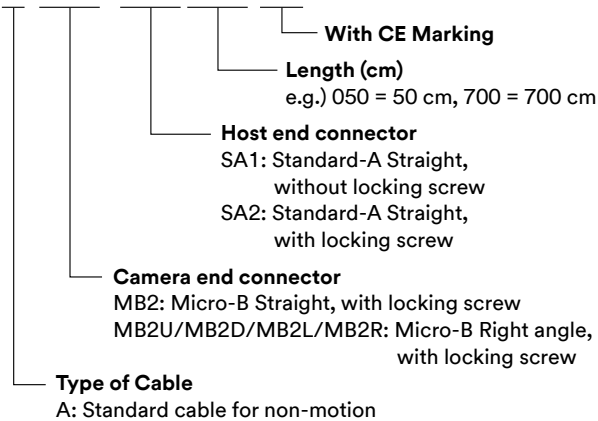


3M™ USB3 Vision Industrial Camera Cable Assembly

Ordering information for 3M™ USB3 Vision Industrial Camera Cable Assembly, 1U30A Series

Part Number

1U30A-MBX-SAX-XXX-CE



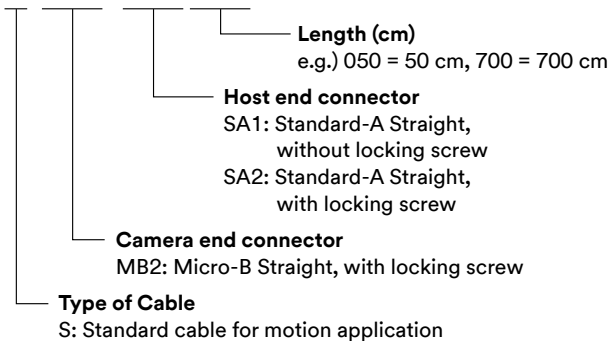
Part Numbers

Camera end connector Micro-B		Host end connector Standard-A		Product name XXX:Length (cm)
Connector shape	Locking screw	Connector shape	Locking screw	
Straight	Yes	Straight	No	1U30A-MB2-SA1-XXX-CE
Upward	Yes	Straight	No	1U30A-MB2U-SA1-XXX-CE
Downward	Yes	Straight	No	1U30A-MB2D-SA1-XXX-CE
Left-hand	Yes	Straight	No	1U30A-MB2L-SA1-XXX-CE
Right-hand	Yes	Straight	No	1U30A-MB2R-SA1-XXX-CE
Straight	Yes	Straight	Yes	1U30A-MB2-SA2-XXX-CE
Upward	Yes	Straight	Yes	1U30A-MB2U-SA2-XXX-CE
Downward	Yes	Straight	Yes	1U30A-MB2D-SA2-XXX-CE
Left-hand	Yes	Straight	Yes	1U30A-MB2L-SA2-XXX-CE
Right-hand	Yes	Straight	Yes	1U30A-MB2R-SA2-XXX-CE

Ordering information for 3M™ USB3 Vision Industrial Camera Cable Assembly, 1U30S Series

Part Number

1U30S-MBX-SAX-XXX



Part Numbers

Camera end connector Micro-B		Host end connector Standard-A		Product name XXX:Length (cm)
Connector shape	Locking screw	Connector shape	Locking screw	
Straight	Yes	Straight	No	1U30S-MB2-SA1-XXX
Straight	Yes	Straight	Yes	1U30S-MB2-SA2-XXX

Safety Data Sheet: Consult Safety Data Sheet before use.

Regulatory: For regulatory information about this product, contact your 3M representative.

Technical Information: The technical information, recommendations and other statements contained in this document are based upon tests or experience that 3M believes are reliable, but the accuracy or completeness of such information is not guaranteed.

Product Use: Many factors beyond 3M's control and uniquely within user's knowledge and control can affect the use and performance of a 3M product in a particular application. Given the variety of factors that can affect the use and performance of a 3M product, user is solely responsible for evaluating the 3M product and determining whether it is fit for a particular purpose and suitable for user's method of application.

Warranty, Limited Remedy, and Disclaimer: Unless a different warranty is specifically stated on the applicable 3M product packaging or product literature, 3M warrants that each 3M product meets the applicable 3M product specification at the time 3M ships the product. **3M MAKES NO OTHER WARRANTIES OR CONDITIONS, EXPRESS OR IMPLIED, INCLUDING, BUT NOT LIMITED TO, ANY IMPLIED WARRANTY OR CONDITION OF MERCHANTABILITY OR FITNESS FOR A PARTICULAR PURPOSE OR ANY IMPLIED WARRANTY OR CONDITION ARISING OUT OF A COURSE OF DEALING, CUSTOM, OR USAGE OF TRADE.** If a 3M product does not conform to this warranty, then the sole and exclusive remedy is, at 3M's option, replacement or repair of the 3M product or refund of the purchase price.

Limitation of Liability: Except where prohibited by law, 3M will not be liable for any loss or damage arising from the 3M product, whether direct, indirect, special, incidental, or consequential, regardless of the legal or equitable theory asserted, including, but not limited to, warranty, contract, negligence, or strict liability.

Disclaimer: For industrial use only. Not intended, labeled or packaged for consumer sale or use.



Electronics Materials Solutions Division

3M Center, Building 224-3N-11
St. Paul, MN 55144-1000

Phone: 1-800-251-8634

Fax: 651-778-4244

www.3M.com/electronics

3M is a trademark of 3M Company.
USB3 Vision® is a trademark owned by A3.
Please recycle.
©3M 2022. All rights reserved.
60-5005-0354-9