



DF62WP Series

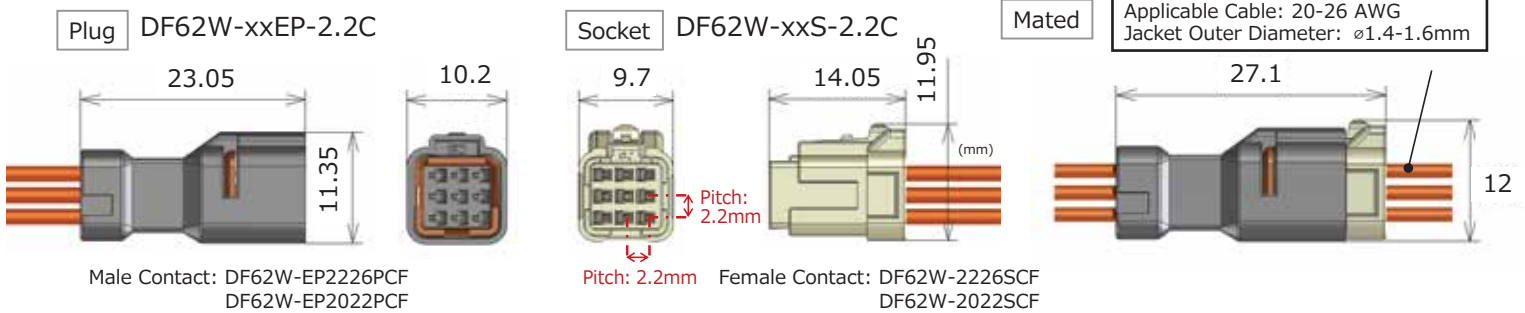
Water Resistant, Slim In-line Connector for Internal Wiring

FEATURES:

- DF62WP waterproof seal between panel and plug
- Slim design and smooth contour for connection inside spaces
- Water resistance: IP67 equivalent when mated
- Secure positive lock with tactile click and visible lock confirmation
- Highly reliable contact design
- Waterproof and easy assembly by just inserting crimp connector
- Wide pin count variation (2-4, 6 and 9pos.)

Slim & Small Size

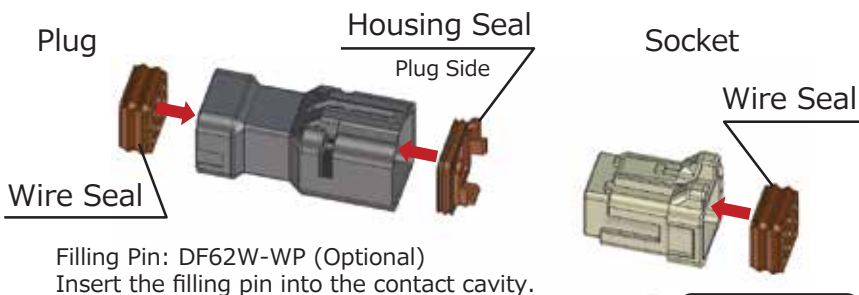
Dimensions (9pos.)



Simplified Water Resistant Design

Wire Seal and Housing Seal Provide Water Resistance

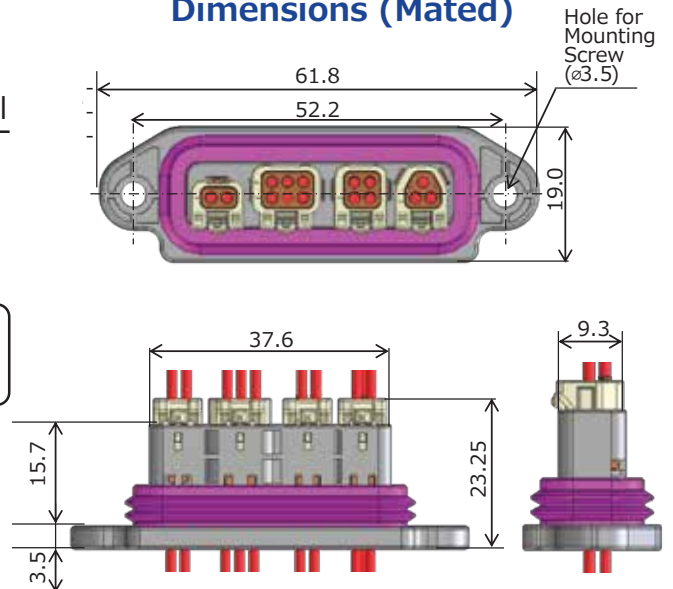
(Seals are pre-assembled in the housing)



Panel Waterproof Type

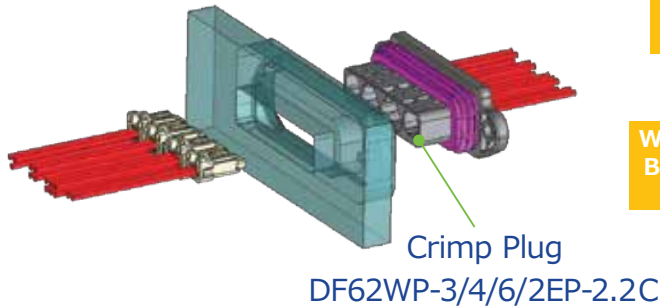
DF62WP-3/4/6/2EP-2.2C

Dimensions (Mated)

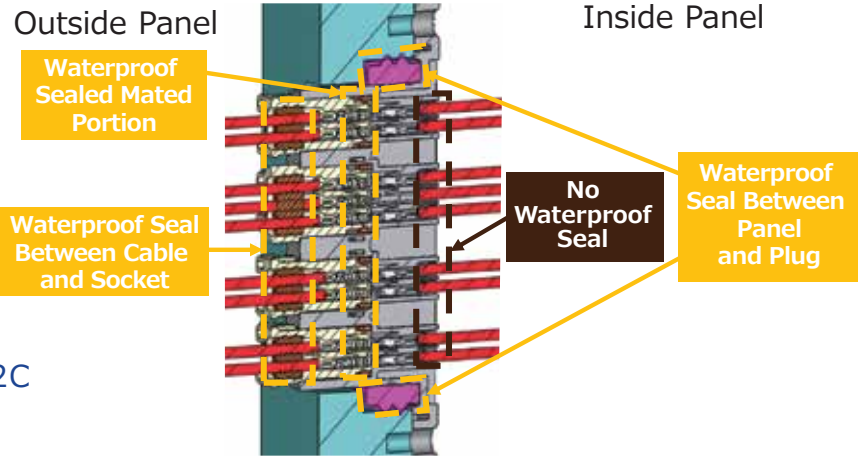


Panel Waterproof Type

Compound Type Achieved Using DF62W's Sockets and Crimp Contacts



IP67 Equivalent Panel Waterproofing



Specifications

MATERIAL AND FINISH			
Component		Material	Finish, Remarks
Housing	Plug	PBT	UL94V-0, Black
	Socket	PBT	UL94V-0, White
	Header	PBT	UL94V-0, Black
Housing Seal	Plug, Header	Silicone Rubber	Colcothar
Wire Seal	Plug, Socket		
Contact	Plug/Socket Crimp Contact	Phosphor Bronze	Tin Plating, Gold Plating
	Header Contact	Brass	

PERFORMANCE CHARACTERISTICS					
		20 AWG	22 AWG	24 AWG	26 AWG
Rated Current	Using 2pos.	5A	4A	3.5A	3A
	Using 3-9pos.	3.5A	3A	2A	1A
Rated Voltage	250V AC/DC				
Operating Temperature	-40 to +105°C*				
Contact Resistance	30mΩ Max. (1mA)				
Withstanding Voltage	650V AC for 1 min.				
Insulation Resistance	1000MΩ Min. (500V DC)				
Mating Durability	Tin Plating: 30 times, Gold Plating: 50 times				

Available Number of Positions

In-line type: 2, 3, 4, 6 and 9pos., Through-hole type: 3, 9pos.
(Contact HRS for availability of other contact positions.)

*Includes temperature rise due to current flow.
RoHS Compliant



For additional information please go to
<https://www.hirose.com/product/series/DF62W>
 Specifications herein are subject to change without notice.
 Contact Hirose for latest specifications, drawings, or availabilities.

STAY CONNECTED

