

XP2U-001

USB TypeC mounted device test socket


Electronic and Mechanical Components Company  
Business Management Division HQ  
Switch & Contact Application Division

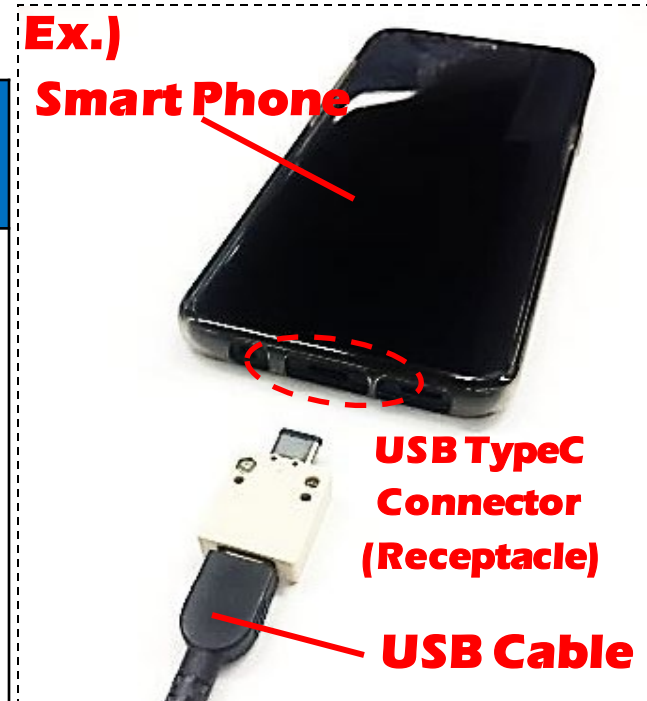
**OMRON**

# Overview

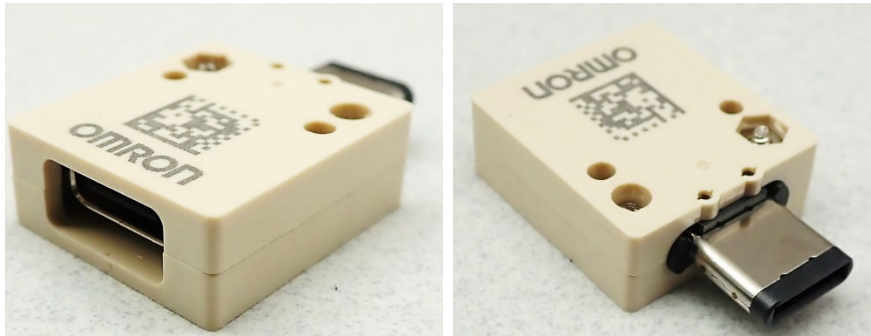
## Test socket of the electronic device that an I/O connector is USB TypeC connector

- One-touch fitting to The Test equipment machine side with the USB TypeC connector
- The socket which specialized the high durability, a low insertion power

Type	XP2U-001
Appearance	



# Main Spec.

Type	XP2U-001
Appearance	
Rated current	Terminal No.A1,A4,A9,A12,B1,B4,B9,B12 : 1.25 A Terminal No. Other than the above: 0.25A
Rated voltage	20 VAC/VDC
Ambient operating temperature	5 to 40°C

# Features & Benefits

## Features

Contact pin : EFC pin

The resin tip +  
Floating structure

Low insertion force

## Benefits

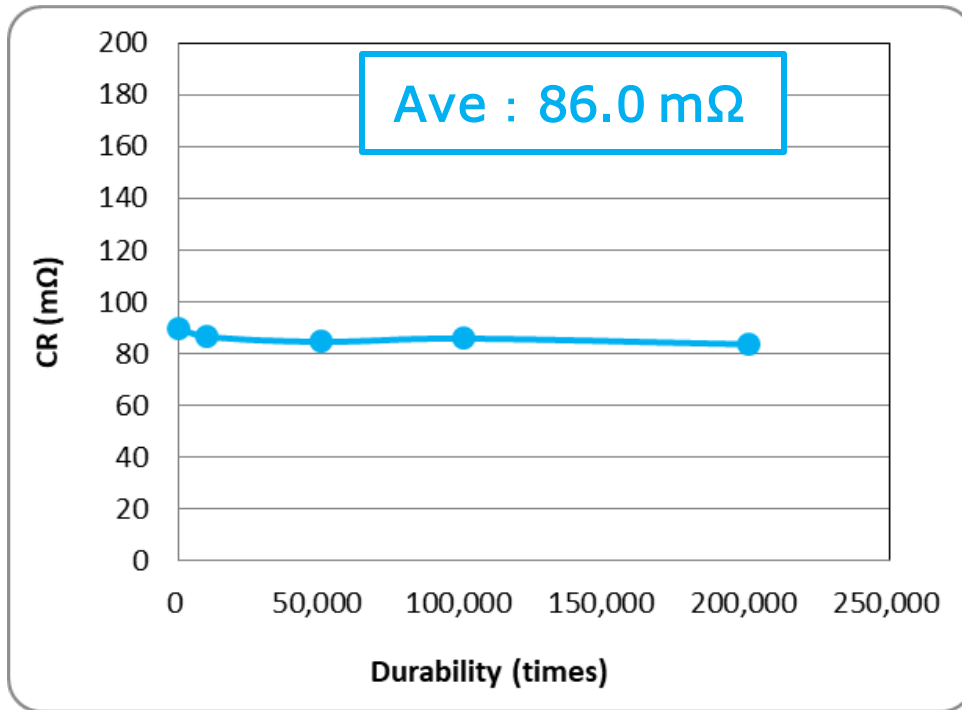
Durability :  
Competing ratio 20 times

No damage to test object

Reduce the burden  
of Manual Test worker

# Feature1. High Durability

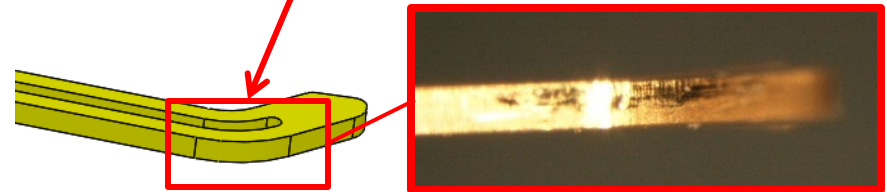
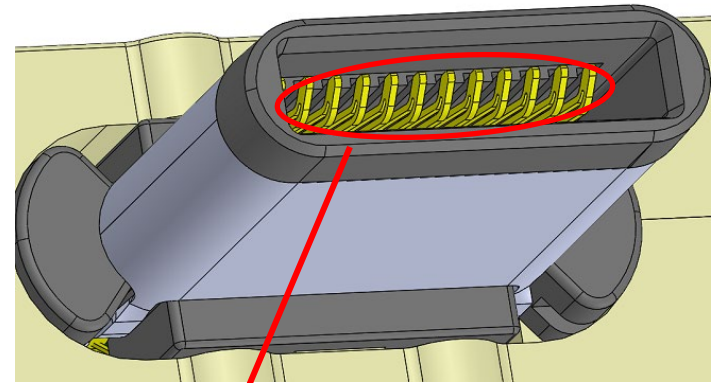
The high durability of competing ratio 20 times is realized by the adoption of the electroforming contact that is high spring characteristics and high hardness materials.



**【Durability test results】**

Confirmation of stable contact resistance

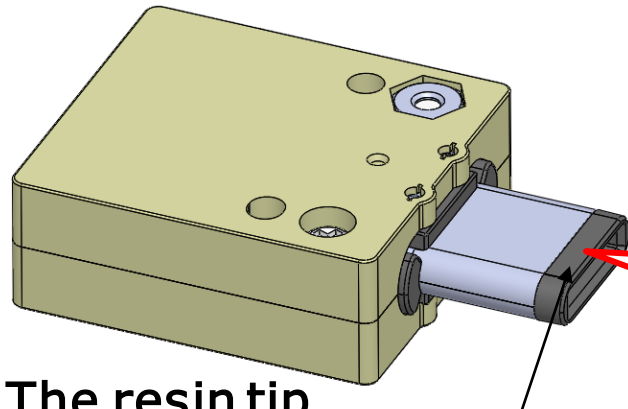
Electroforming contact pin



Confirmation of the enough gold plating on contact surface after Test

## Feature2. The resin tip+Floating structure

Prevention of the product damage by 2 point structure.

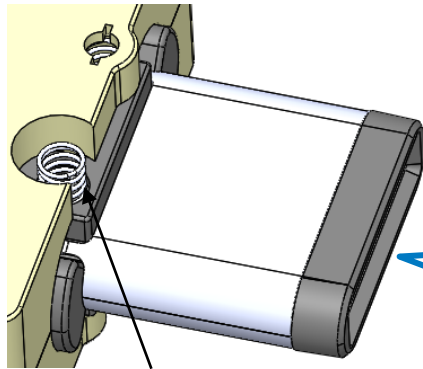


The resin tip

→Little damage to test object

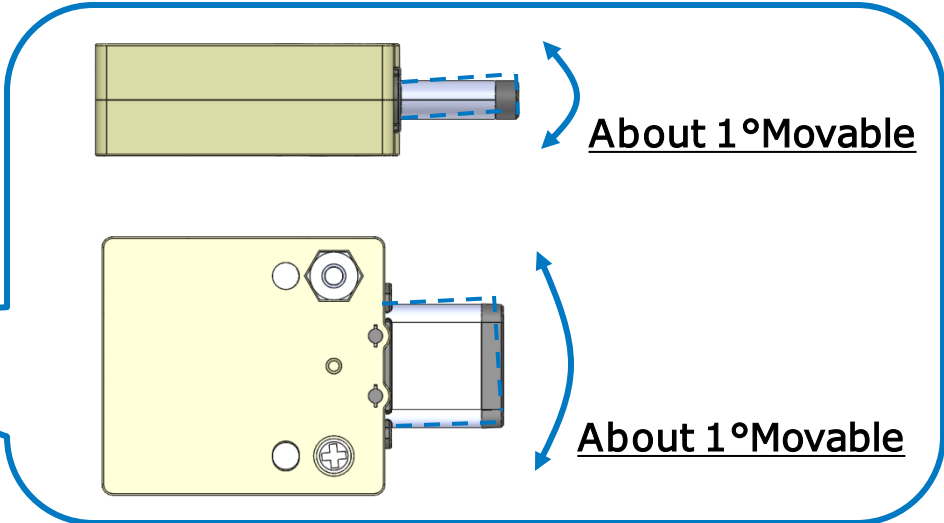


General USB Cable has metal tip  
→Sometimes damage to test object



Floating structure by coil springs

→Little damage to test object



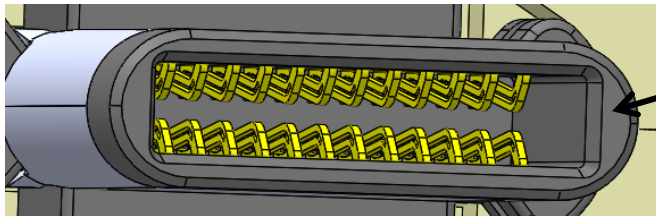
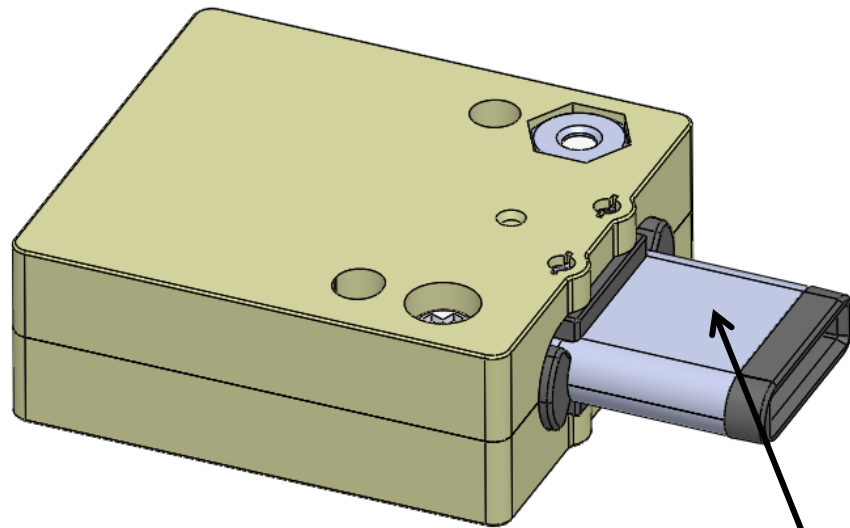
About 1° Movable

About 1° Movable

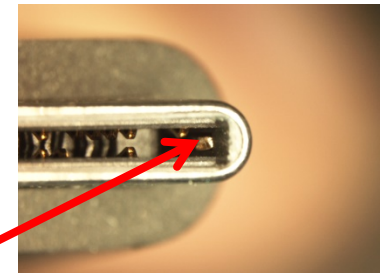
# Feature3. Low insertion force

Reduce the burden of manual test worker

by low insertion force



Non-Lock Structure



Lock

Traditional USB Connector

Insertion force test result (Unit : N)

	XP2U-001	General USB Cable
Average	1.6	11.7
Max.	2.1	11.9
Min.	1.3	11.1

# Target Test Application

Inspection application of all electronic device

that has USB TypeC connector as I/O connector

## 【Purpose to USE】

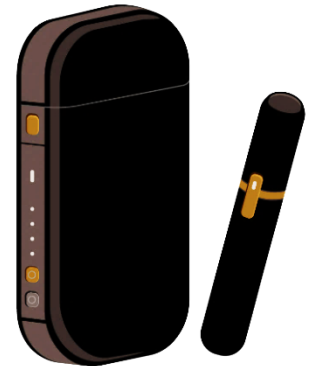
1. Inspection for telecommunication
2. Inspection for quick charge
3. Battery Charge



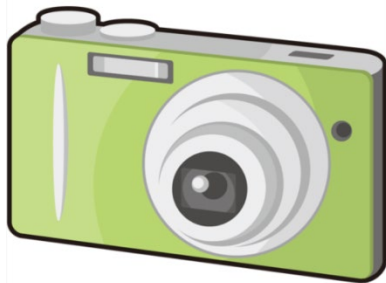
Smart phone



Portable



E-cigarette



Camera



Headphone



Tablet





Thank You